



H0300 SERIES ACCESSORIES



H0300 SERIES ACCESSORIES

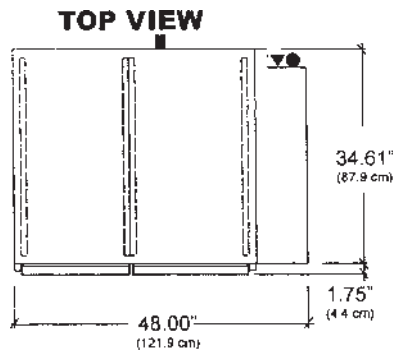
PROOFING CABINET

FEATURES

- HPC800-M16 proofing cabinet height: 33.00"
- Sturdy 4" swivel casters (2 locking)
- 16-pan capacity (18" x 26") with 3" slide spacing
- Power: 120V/1/60/16A or 208-240V/1/60/9A
- Water: 3/8" cold water @ 30-80 psi
- Drain: 1/2" rear drain. Route to air-gap drain

MODEL	SHIPPING WEIGHT	DESCRIPTION
HPC800-M16	363 lbs.	Proofing Cabinet, 16 Pan Capacity 18" x 26" (45.7cm x 66.0cm) with 3" (7.6cm) slide spacing
POWER: 120v/1/60/16A or 208-240v/1/60/9A WATER: 3/8" (.95cm) Cold water @ 30-80 psi. DRAIN: 1/2" (1.27cm) Rear drain. Route to air-gap drain.		

Connection Points
▲ Power
● Water
■ Drain



Specifications, Details and Dimensions on Back.



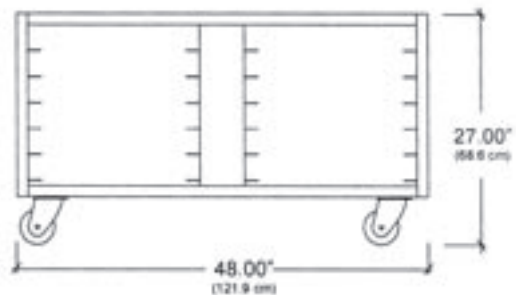
MINI-RACK STAND

FEATURES

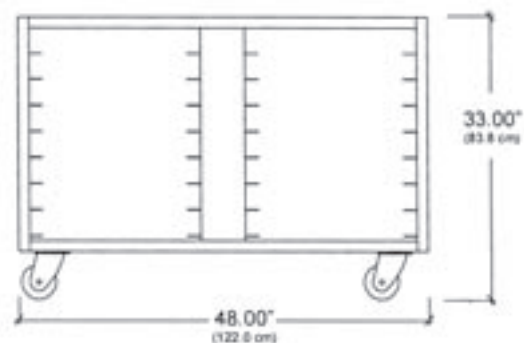
- Sturdy 4" swivel casters (2 locking)
- Stand depth: 34.61"

MODEL	SHIPPING WEIGHT	DESCRIPTION
HCT800-M12	138 lbs.	Stand, 12 Pan Capacity 18" x 26" (45.7cm x 66.0cm) with 3" (7.6cm) slide spacing
HCT800-M16	142 lbs.	Stand, 16 Pan Capacity 18" x 26" (45.7cm x 66.0cm) with 3" (7.6cm) slide spacing

FRONT VIEW: 12-Pan Stand



FRONT VIEW: 16-Pan Stand



Specifications, Details and Dimensions on Back.

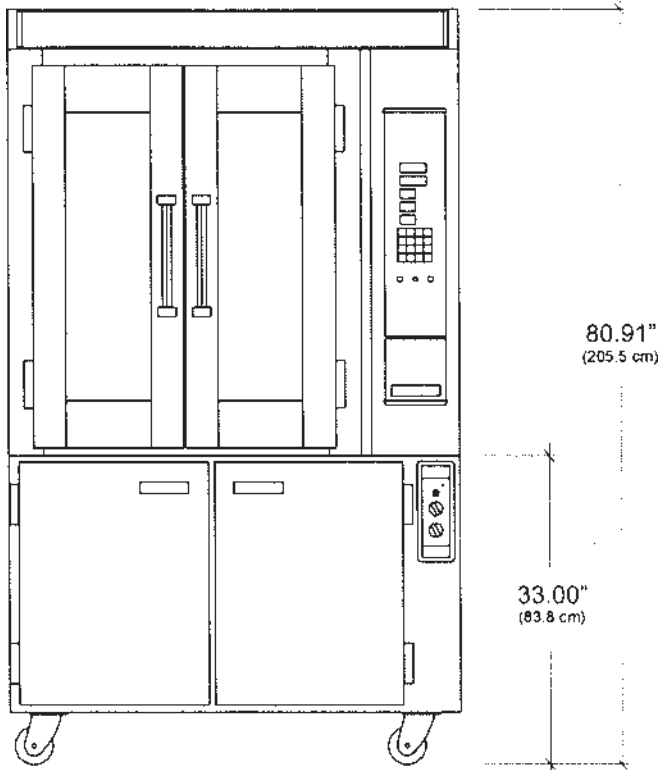


HO300 SERIES ACCESSORIES



PROOFING CABINET

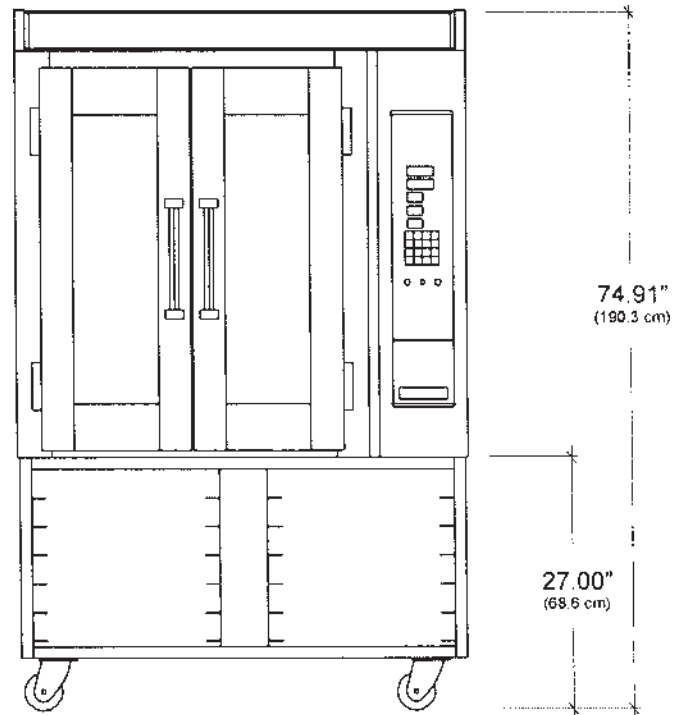
DETAILS & DIMENSIONS



Height reflects HO300 with
standard Trim and
HPC800-M16 Proofer or
HCT800-M16 Stand

MINI-RACK STAND

DETAILS & DIMENSIONS



Height reflects HO300 with
standard Trim or
HCT800-M12 Stand